



US00D586873S

(12) **United States Design Patent**  
**Philippen**

(10) **Patent No.:** **US D586,873 S**

(45) **Date of Patent:** **\*\* Feb. 17, 2009**

- (54) **CHAIR FOR ROLLERCOASTER**
- (75) Inventor: **Johan Willem Philippen**, Schinveld (NL)
- (73) Assignee: **Vekoma Rides Engineering B.V.** (NL)
- (\*\*) Term: **14 Years**

6,477,961	B1 *	11/2002	Mares	104/76
6,606,953	B2 *	8/2003	Mares	104/76
6,733,398	B1 *	5/2004	Clerx	472/133
2001/0037745	A1 *	11/2001	Mares	104/76
2002/0066387	A1 *	6/2002	Mares	104/53
2002/0152920	A1 *	10/2002	Mares	104/76
2003/0041769	A1 *	3/2003	Mares	104/76
2003/0085608	A1	5/2003	Girardin	
2008/0143158	A1 *	6/2008	Roodenburg et al.	297/284.4

(21) Appl. No.: **29/298,913**

**FOREIGN PATENT DOCUMENTS**

(22) Filed: **Dec. 14, 2007**

WO WO 06/120029 11/2006

(30) **Foreign Application Priority Data**

Jun. 14, 2007 (EM) ..... 000740170

\* cited by examiner

*Primary Examiner*—Mitchell I Siegel

(51) **LOC (9) Cl.** ..... **21-03**

(52) **U.S. Cl.** ..... **D21/828**

(58) **Field of Classification Search** ..... D21/828-831;  
D6/333; 104/53, 76; 472/118, 133; 297/284.4,  
297/391, 484

*Attorney, Agent, or Firm*—Ryan A. Schneider, Esq.;  
Troutman Sanders LLP

See application file for complete search history.

(57) **CLAIM**

The ornamental design for chair for rollercoaster, as shown and described.

(56) **References Cited**

**DESCRIPTION**

**U.S. PATENT DOCUMENTS**

4,186,962	A	2/1980	Meeker	
4,770,468	A	9/1988	Shubin	
5,665,002	A *	9/1997	Balwanz	472/118
5,779,319	A	7/1998	Merrick	
6,098,549	A *	8/2000	Mares	104/76
6,227,121	B1 *	5/2001	Mares	104/76
6,386,115	B2 *	5/2002	Mares	104/76
6,431,989	B1	8/2002	Katayama et al.	

FIG. 1 is a perspective view of the embodiment of the chair for rollercoaster design of the present invention;

FIG. 2 is a front view of the embodiment of the chair for rollercoaster design of the present invention;

FIG. 3 is a side view of the embodiment of the chair for rollercoaster design of the present invention; and,

FIG. 4 is a top plan view of the embodiment of the chair for rollercoaster design of the present invention.

**1 Claim, 4 Drawing Sheets**





FIG. 1

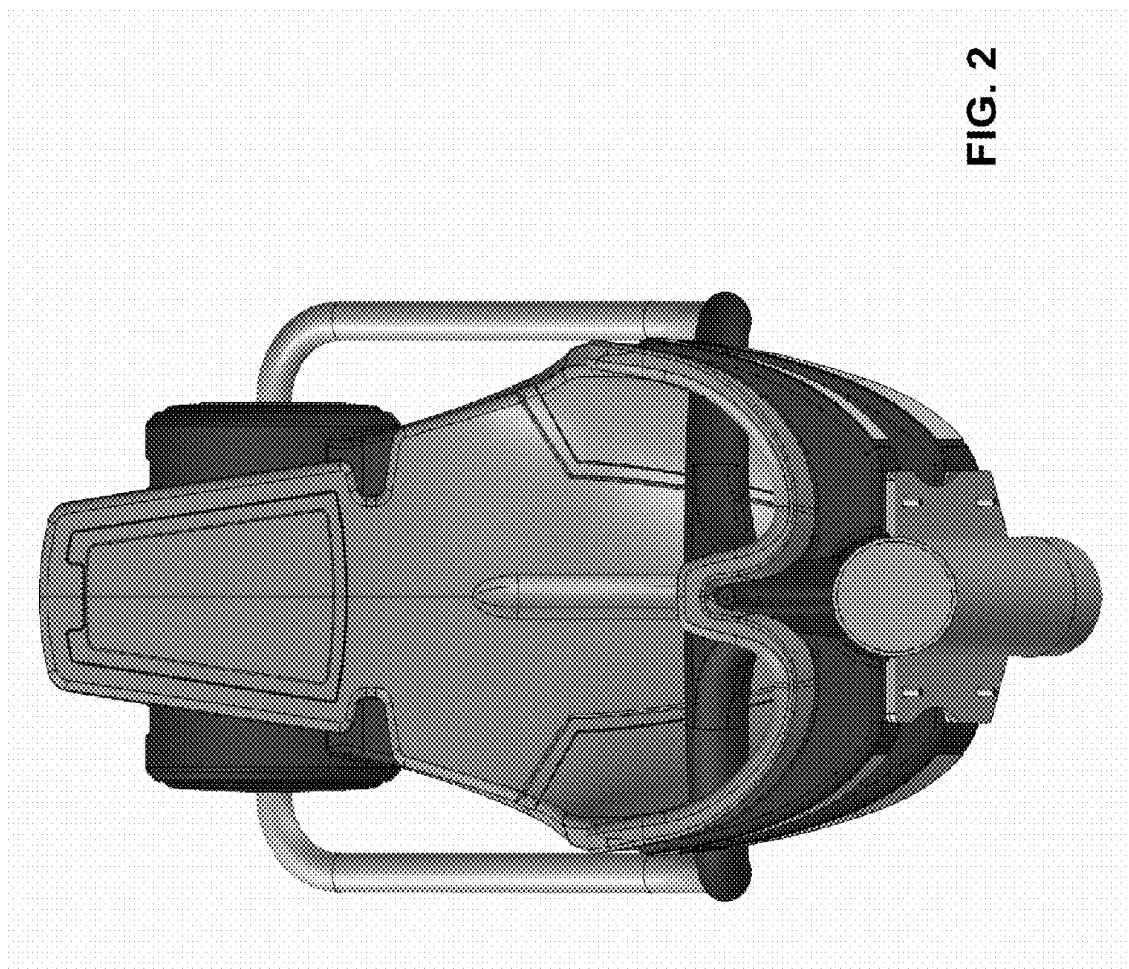


FIG. 2

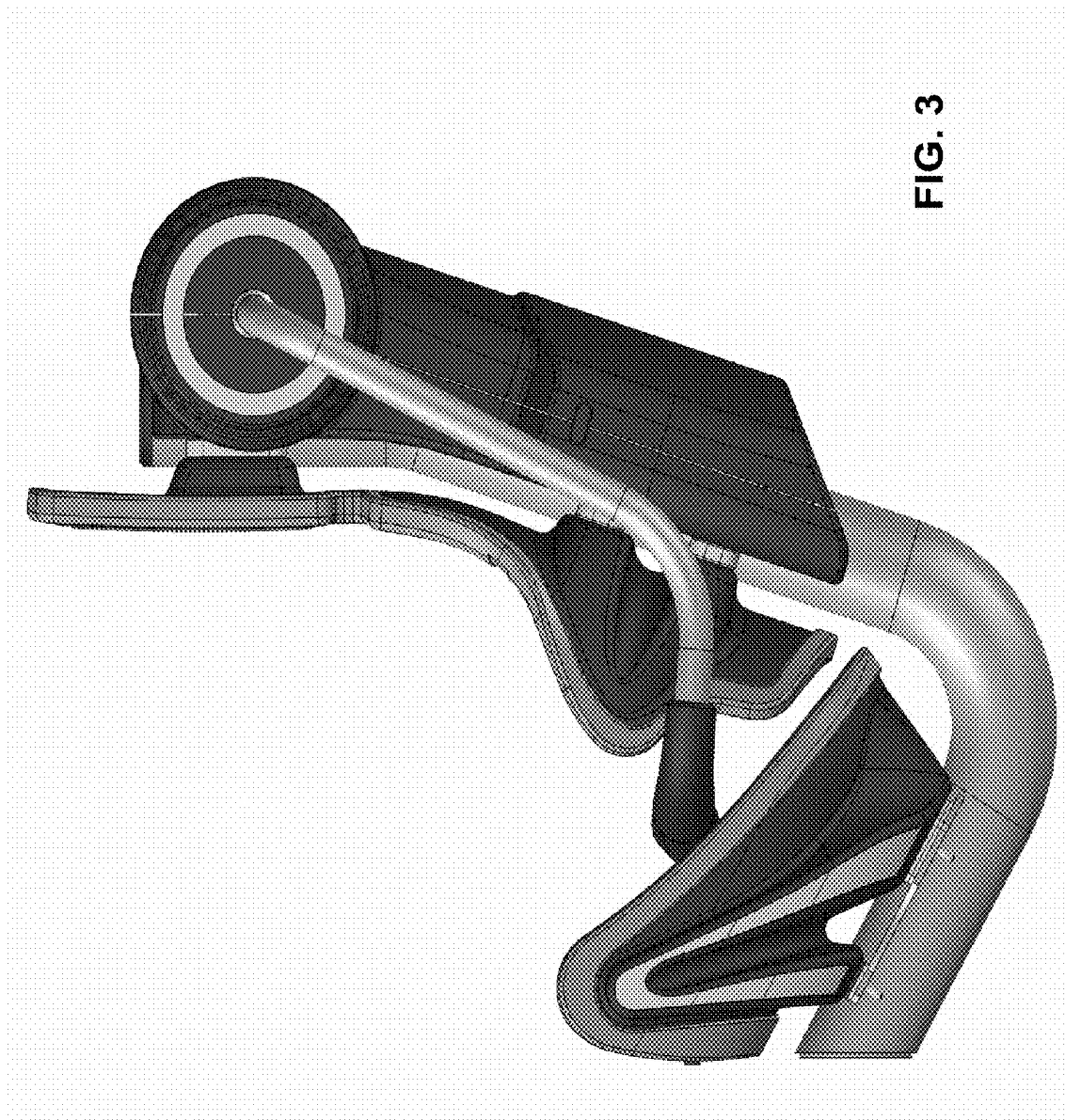


FIG. 3

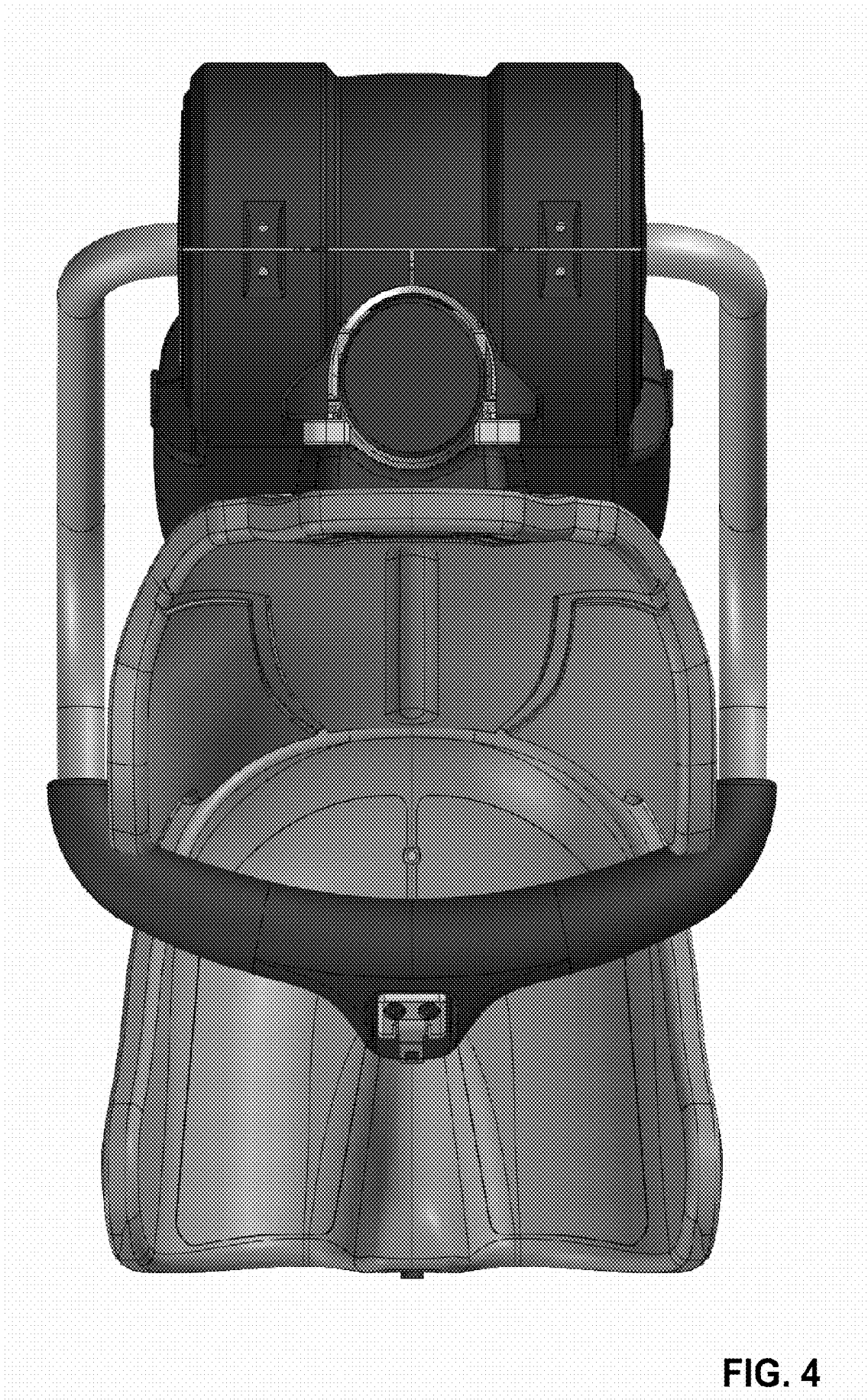


FIG. 4